

FALCON X

Ex e/Ex tb LED BATTEN

Features

The Falcon X Series is a corrosion resistant luminaire for use in hazardous areas due to the presence of flammable liquids, gases, vapours or combustible dusts. It features a corrosion resistant GRP body and polycarbonate diffuser with a central locking device that disconnects the supply when the luminaire is opened. Applications include chemical and petrochemical processing and storage facilities, offshore platforms, pharmaceutical plants, distilleries and dust areas such as grain handling and storage facilities.



IP66



IK08



-20°C



55°C



Class I



1, 2, 21, 22



Typical Applications

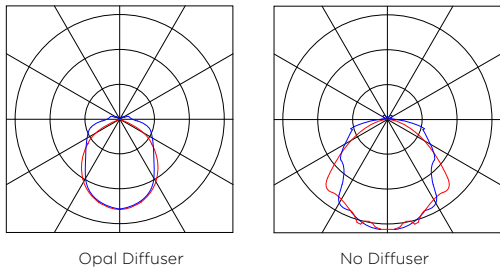


Technical Specifications

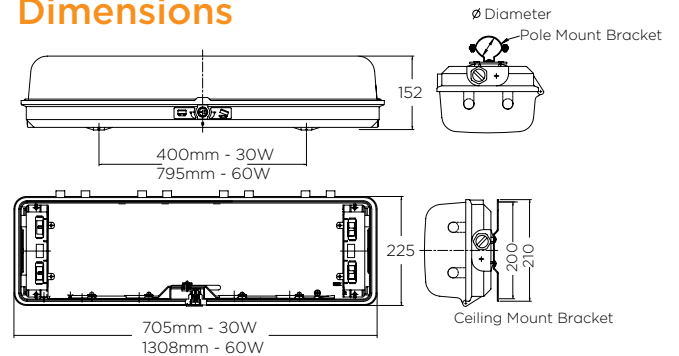
Operating Voltage	100-250V AC 50/60Hz
Power Factor	≥ 0.95
EMC	AS/NZS CISPR15
Safety	AS/NZS60598.1, AS/NZS60598.2.1
IEC	IEC60079-0, -1, -5, -7, -18, -28, -31
Protection Ratings	Ex db eb mb op is q IIC T5/T4 Gb, Ex tb op is IIIC T80°C Db
Certificate	IECEX CML 16.0116X
Supply Connection	1.5mm ² to 10mm ²
Entries	2 x M25 at one end, 1 x M25 at the other end
Enclosure	Glass Fibre Reinforced Polyester
Optical Cover	High Impact UV Stabilised Polycarbonate
Installation	Ceiling/Pole/Pendant/Chain/Clamp/Wall/Unistrut
Efficacy	109lm/W (87lm/W with opal diffuser)
CCT	5700K
CRI	Ra80
LED Life	L70 / B50 >50000 Hours



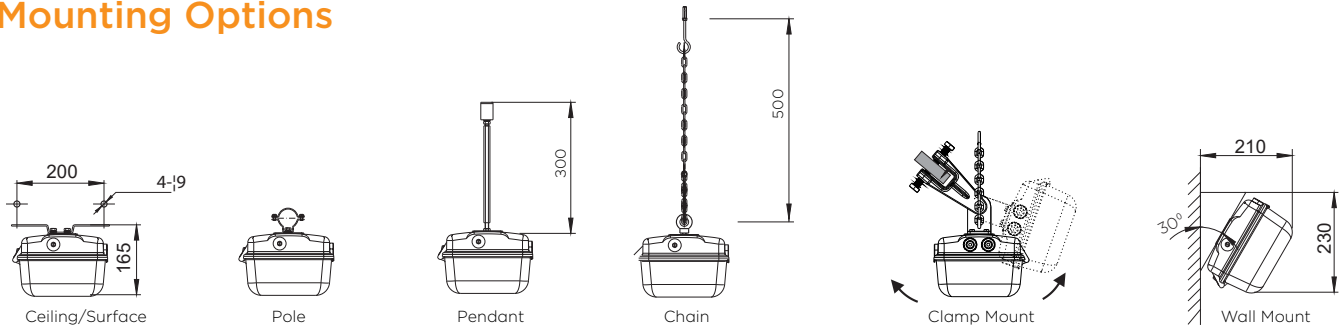
Photometric Diagrams



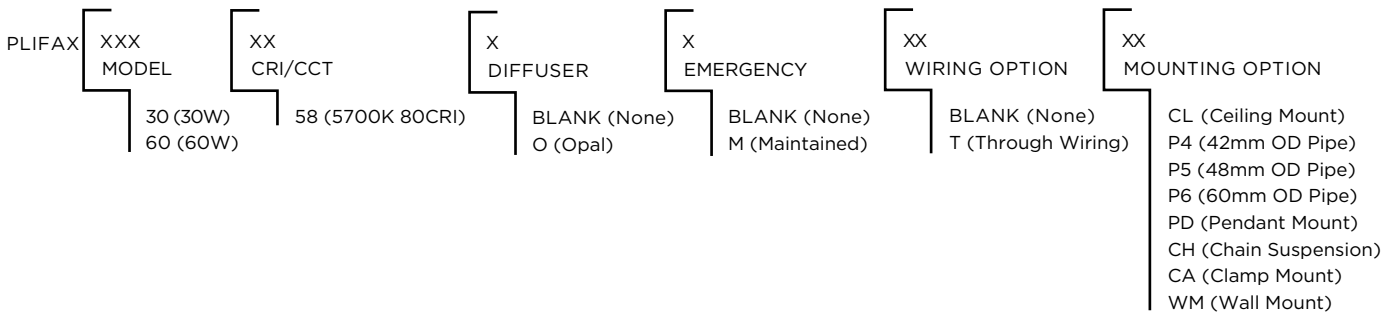
Dimensions



Mounting Options



Ordering Methodology



Ordering Codes

PART NO	POWER (w)	LUMINOUS FLUX (LM) *	WEIGHT (kg)	T Rating	T Dust
PLIFAX3058CL	30	3012	5.5	T5@40°C / T4@55°C	T80°C
PLIFAX3058OCL	30	2443	5.6	T5@40°C / T4@55°C	T80°C
PLIFAX6058CL	60	6101	8.9	T5@40°C / T4@55°C	T80°C
PLIFAX6058OCL	60	4848	9.1	T5@40°C / T4@55°C	T80°C
PLIFAX3058MCL*	30	3012 (893@2hrs)	8.6	T4@50°C	T80°C
PLIFAX3058OMCL*	30	2443 (712@2hrs)	8.7	T4@50°C	T80°C
PLIFAX6058MCL*	60	6101 (1794@2hrs)	11.9	T4@55°C	T80°C
PLIFAX6058OMCL*	60	4848 (1435@2hrs)	12.1	T4@55°C	T80°C

Note : Add suffix for mounting bracket type, IECEx cable glands are available and can be supplied with luminaire

* Maintained Emergency