

FALCON XE

Ex e/Ex tb LED BATTEN

Features

The Falcon XE Series is a corrosion resistant luminaire for use in hazardous areas due to the presence of flammable liquids, gases, vapours or combustible dusts. It features a corrosion resistant GRP body and polycarbonate diffuser with a central locking device that disconnects the supply when the luminaire is opened. Applications include chemical and petrochemical processing and storage facilities, offshore platforms, pharmaceutical plants, distilleries and dust areas such as grain handling and storage facilities.



IP55



IK10



-20°C



50°C



Class I



1, 2, 21, 22



Typical Applications



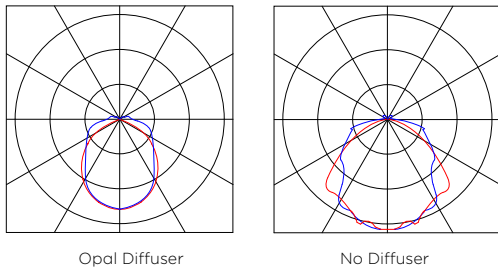
Technical Specifications

Operating Voltage	100-250V AC 50/60Hz
Power Factor	≥ 0.95
EMC	AS/NZS CISPR15
Safety	AS/NZS60598.1, AS/NZS60598.2.1
IEC	IEC60079-0, -1, -5, -7, -18, -28, -31
Protection Ratings	Ex db eb mb op is q IIC T5/T4 Gb, Ex tb op is IIIC T80°C Db
Certificate	IECEX CML 16.0116X
Supply Connection	1.5mm ² to 10mm ²
Entries	2 x M25 at one end, 1 x M25 at the other end
Enclosure	Glass Fibre Reinforced Polyester
Optical Cover	High Impact UV Stabilised Polycarbonate
Installation	Ceiling/Pole/Pendant/Chain/Clamp/Wall/Unistrut
Efficacy	77lm/W (60lm/W with opal diffuser)
CCT	5700K
CRI	Ra80
LED Life	L70 / B50 >50000 Hours

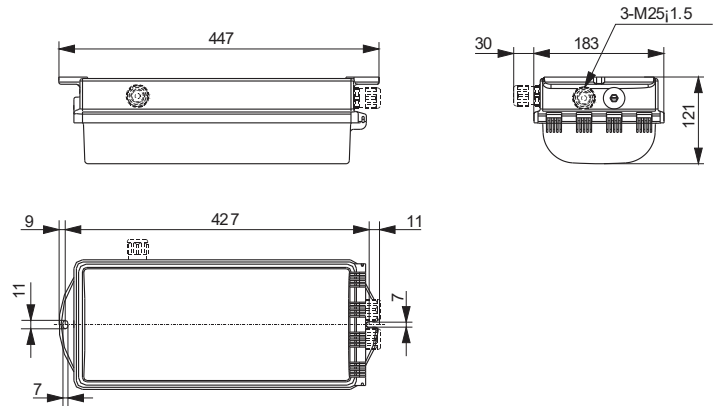
FALCON X

Ex e/Ex tb LED BATTEN

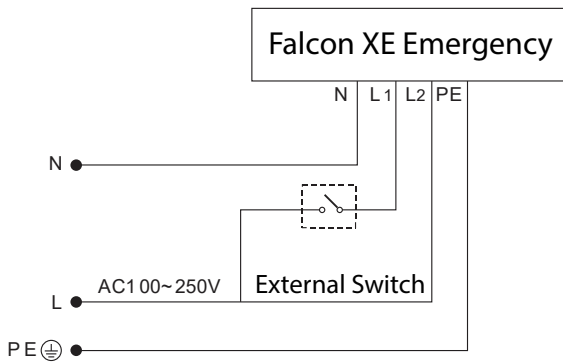
Photometric Diagrams



Dimensions



Wiring Diagram (Emergency)

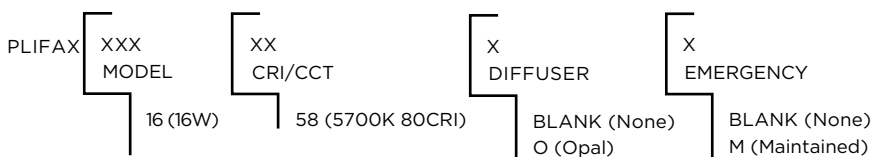


Decals



Optional Decals

Ordering Methodology



Ordering Codes

PART NO	POWER (w)	LUMINOUS FLUX (LM) *	WEIGHT (kg)	T Rating	T Dust
PLIFAX1658CL	16	1241	3.36	T6@40°C / T5@50°C	T80°C
PLIFAX1658OCL	16	958	3.36	T6@40°C / T5@50°C	T80°C
PLIFAX1658MCL*	16	1241(389@2hrs)	3.52	T6@40°C / T5@50°C	T80°C
PLIFAX1658OMCL*	16	958(299@2hrs)	3.52	T6@40°C / T5@50°C	T80°C

* Maintained Emergency

