

HARRIER LED Highbay

Features

The Harrier highbay is a robust industrial highbay designed for industrial environments. It features overcurrent, overvoltage and over temperature protection to protect the driver and LEDs in industrial environments where supply voltage fluctuations and voltage transients can damage sensitive electronics. The marine grade aluminium casting combined with a chromate finish and polyester powdercoat provide chemical resistance in corrosive environments.



IP65



IK10



-20°C



50°C



CLASS I



5 Year
Warranty

Typical Applications



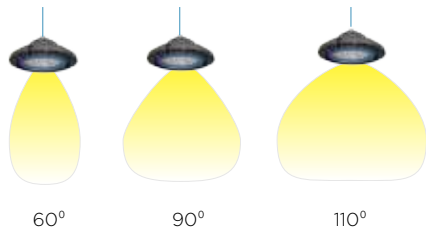
Technical Specifications

Operating Voltage	240-528V AC 50/60Hz
Power Factor	≥0.9
EMC	AS/NZSCISPR15
Safety	AS/NZS60598.1, AS/NZS60598.2.1
Dimming/Control Options	1-10V
Enclosure	Marine grade powdercoated aluminium
Optical Cover	High Impact Polycarbonate
Supply Connection	IP67 Connector
Installation	Suspension and ceiling mount
Efficacy	140lm/W (160lm/W optional)
CCT	3000K, 4000K, 5000K, 6500K
CRI	Ra>70, Ra80 optional
LED Life	L70 / B50 >50000 Hours

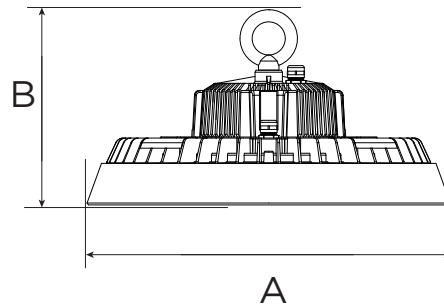


HARRIER HV LED Highbay

Photometric Diagrams



Dimensions



Accessories



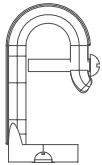
Aluminium Reflector



Prismatic Reflector



Ceiling/Surface Bracket



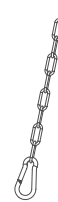
Suspension Hook

Supplied with highbay



connector

Supplied with Highbay



Chain

Supplied with highbay

Ordering Methodology

PLIHAR	XXX POWER	XX CRI/CCT	X LENS	XX REFLECTOR	X DIMMING
	80 100 120 150 200 240	37 (3000K, 70 CRI) 47 (4000K, 70 CRI) 57 (5000K, 70 CRI) 67 (6500K, 70 CRI)	A (60°) B (90°) C (110°)	BLANK (No Reflector) AL (Aluminium Reflector) PR (Prismatic Reflector)	Blank (No Dimming) 1-10V (A)

MODEL No	POWER (W)	LUMINOUS FLUX (lm)	CCT (K)	DIMENSIONS (A x B mm)	MASS (kg)
PLIHAR08047	80	19600	4000K	280 x 180	3.9
PLIHAR10047	100	14000	4000K	280 x 180	3.9
PLIHAR12047	120	16800	4000k	280 x 180	3.9
PLIHAR15047	150	21000	4000k	280 x 180	3.9
PLIHAR20047	200	28000	4000K	360 x 190	5.7
PLIHAR24047	240	33600	4000k	360 x 190	5.7

* Note : 160lm/W version available

