

# PHOENIX PETREL Stainless Steel Floodlight

## Features

The Phoenix Petrel is a 316 stainless steel floodlight designed for use in arduous corrosive and marine environments. It features a quick access cover for easy lamp replacement avoiding the need to open the cover for lamp replacement.



IP66/67



IK08



-20°C



55°C



## Typical Applications



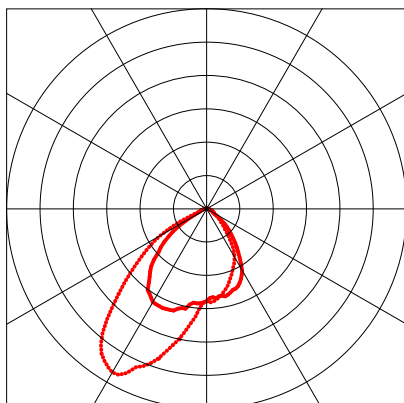
## Technical Specifications

Operating Voltage	220-254V AC 50Hz
Power Factor	≥0.9
EMC	AS/NZSCISPR15
Safety	AS/NZS60598.1, AS/NZS60598.2.5
Entries	2 x M20
Enclosure	316 Stainless Steel Housing and Trunion
Optical Cover	Toughened Borosilicate Glass
Supply Connection	6mm <sup>2</sup> looping terminal block
Installation	Trunion mount
Lampholder	E40
Control gear	Iron core ballast
Distribution	Asymmetric wide beam
Lamp replacement	Via quick access cover on side of enclosure



# PHOENIX PETREL Stainless Steel Floodlight

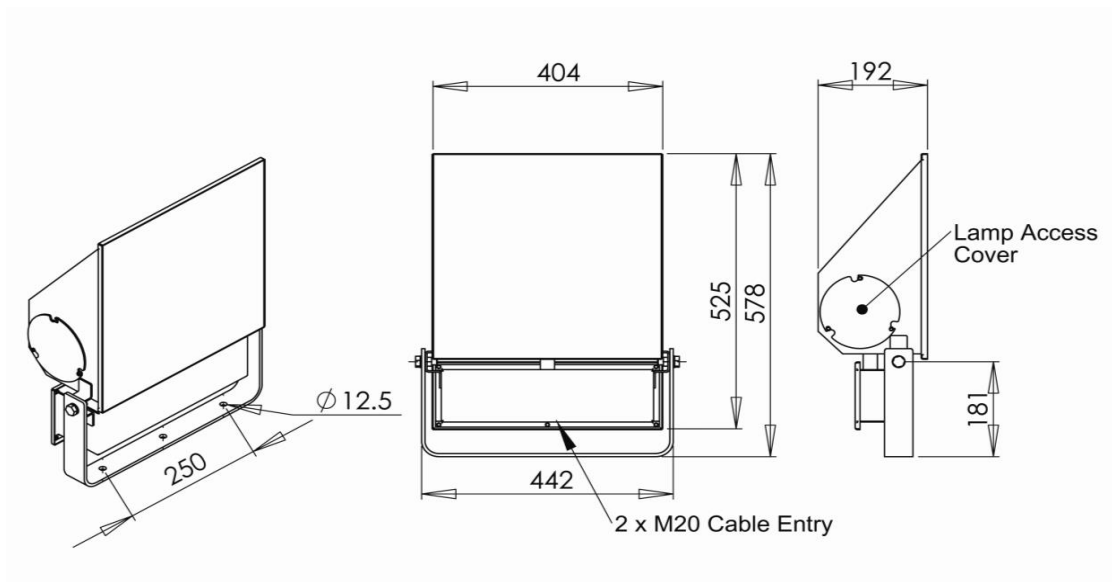
## Photometric Diagram



## Accessories

PLIPETPM1	Pole mouning bracket
PLIX4PETAGS	Anti glare shield
PLIPETWG	316 stainless steel wire guard
PLIPETWGS	Combined glare shield and wire guard

## Dimensions



## Order Codes

MODEL No	POWER (W)	Lamp	LAMP CAP	ENTRIES	MASS (kg)
PLIPET150MH	150W	150W MH	E40	2 x M20	17
PLIPET150HPS	150W	150W HPS	E40	2 x M20	17
PLIPET250MH	250W	250W MH	E40	2 x M20	17.8
PLIPET250HPS	250W	250W HPS	E40	2 x M20	17.8
PLIPET400MH	400W	400W MH	E40	2 x M20	19
PLIPET400HPS	400W	400W HPS	E40	2 x M20	19

