

SCOUT LED Wallpack

Features

The Scout is an arduous environment security luminaire. It features a two part diecast aluminium body and heavy duty glass refractor. The luminaire is designed to be wall mounted and features a high spacing to height mounting height ratio for economical installations.



IP66



IK10



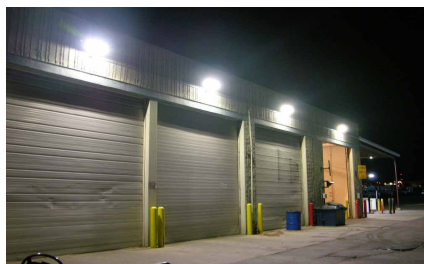
-30°C



50°C



Typical Applications



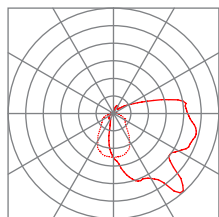
Technical Specifications

Operating Voltage	100-277V AC 50/60Hz
Power Factor	≥0.9
EMC	AS/NZSCISPR15
Safety	AS/NZS60598.1, AS/NZS60598.2.5
Dimming/Control Options	0-10V
Enclosure	Marine grade, powdercoated aluminium
Optical Cover	Toughened glass
Supply Connection	4mm ² terminal block
Installation	Wall mount
Efficacy	Up to 100lm/W
CCT	3000K, 4000K or 5700K
CRI	Ra>80
LED Life	L70 / B50 >50000 Hours

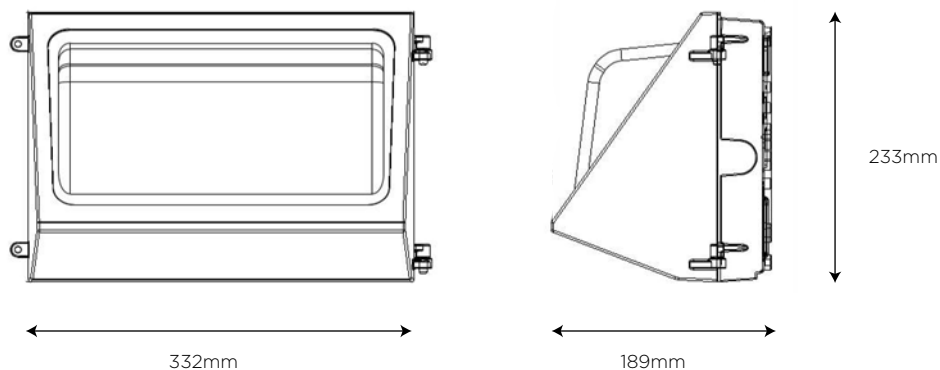


SCOUT LED Wallpack

Photometric Diagram



Dimensions



Ordering Codes

PART NO	POWER (w)	LUMINOUS FLUX (LM)	CCT(K)	DIMENSIONS (L x W x H mm)	Mass (kg)
PLISCT02858	28	2800	5700	332 X 189 X 233	4.7
PLISCT04058	40	3800	5700	332 X 189 X 233	4.7
PLISCT06058	60	6000	5700	332 X 189 X 233	4.8
PLISCT09058	90	8550	5700	332 X 189 X 233	4.9

Ordering Methodology

PLISCT **XX** POWER (W) **XX** CRI/CCT **X** PHOTOCELL **X** CONTROL/DIMMING

- 28
- 40
- 60
- 90

- 38 (3000K 80CRI)
- 48 (4000K 80CRI)
- 58 (5700K 80CRI)

- BLANK (None)
- P (Photocell)

- BLANK (None)
- A (0-10V)