

TALON LED Floodlight

Features

The Talon luminaire is designed to provide efficient crisp, white light to illuminate large areas including sports fields. The Talon offers three models along with 4 distribution types to suit all your area lighting requirements. The luminaire consists of a die cast aluminium polyester powdercoated body with an integrated heatsink. Dimming options are available for additional energy savings.



IP66



IK10



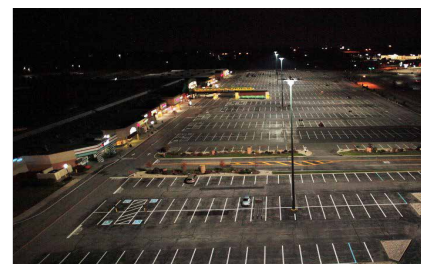
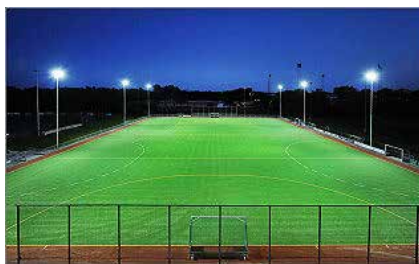
-30°C



50°C



Typical Applications

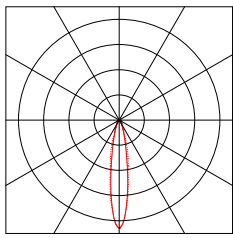


Technical Specifications

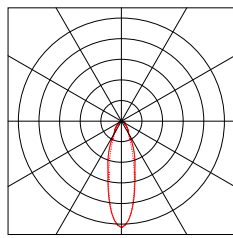
Operating Voltage	100-277V AC 50/60Hz
Power Factor	≥0.9
EMC	AS/NZSCISPR15
Safety	AS/NZS60598.1, AS/NZS60598.2.5
Dimming/Control Options	DALI
Enclosure	Marine grade, chromated and powdercoated aluminium
Optical Cover	Toughened glass
Supply Connection	4mm ² terminal block
Installation	Trunion mount
Efficacy	135lm/W
CCT	4000K or 5000K
CRI	Ra>70
LED Life	L70 / B50 >50000 Hours

TALON LED Floodlight

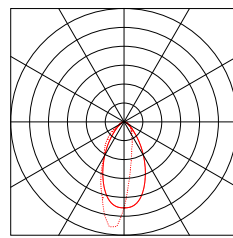
Photometric Diagrams



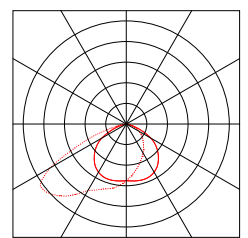
15



30

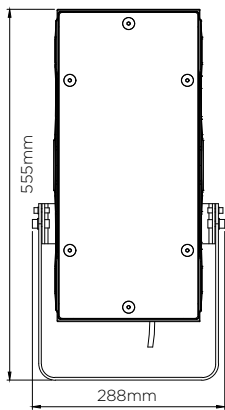


153

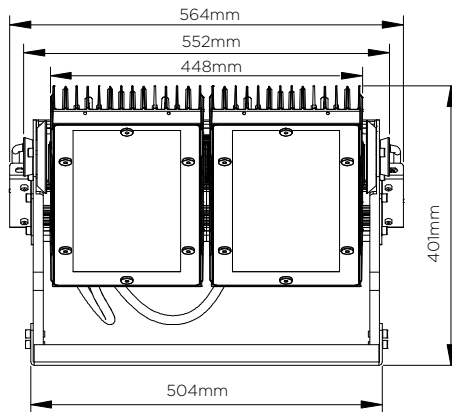


FT

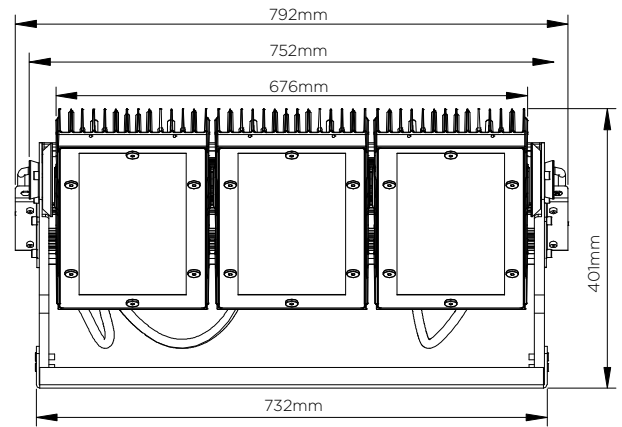
Dimensions



PLITAL300
(Mass 15kg)



PLITAL600
(Mass 29kg)



PLITAL900
(Mass 41kg)

Ordering Methodology

PLITAL	XX POWER	XX CRI/CCT	XX BEAM ANGLE	X CONTROL/DIMMING
	300	47 (4000K, 70 CRI)	15 (15°)	BLANK (None)
	600	57 (5000K, 70 CRI)	30 (30°)	DALI (D)
	900		153 (15 x 30°)	
			FT (Forward Throw)	