

TETHRA LED Street Light

Features

The Tethra luminaire is designed to provide efficient crisp, white light to illuminate streets, carparks and large areas. The Tethra is designed to meet most exterior area lighting applications utilising its multiple distribution types. The lenses are injection moulded from an optical grade PC material with a transmittance of up to 93%. The spigot can be used in either horizontal or vertical orientation with an adjustable tilt of $\pm 15^\circ$. The luminaire consists of a die cast aluminium polyester powdercoated body with a smooth outer surface to minimise dust buildup. Dimming options are available for additional energy savings.



IP66



IK08



-40°C



50°C



Typical Applications



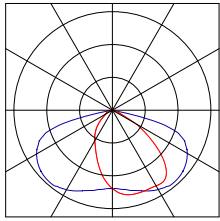
Technical Specifications

Operating Voltage	100-277V AC 50/60Hz
Power Factor	≥ 0.9
EMC	AS/NZSCISPR15
Safety	AS/NZS60598.1, AS/NZS60598.2.5
Dimming/Control Options	0-10V, Dali, Photocell
Enclosure	Marine grade, chromated and powdercoated aluminium
Optical Cover	Tempered glass
Surge Protection	6kV line to line / 12kV line to earth
Supply Connection	4mm ² Terminal block
Installation	Pole Spigot, Arm Mount, Wall mount
Efficacy	120lm/W
CCT	3000K, 4000K or 5000K
CRI	Ra70, Ra80 optional
LED Life	L70 / B50 >50000 Hours
PE Cell	NEMA 3,5 or 7 Pin

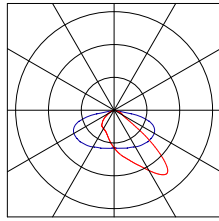


TETHRA LED Street Light

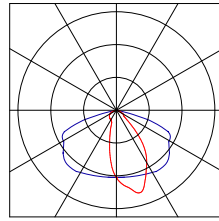
Photometric Diagrams



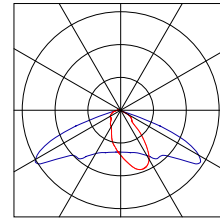
Type I



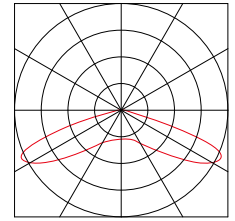
Type II



Type III

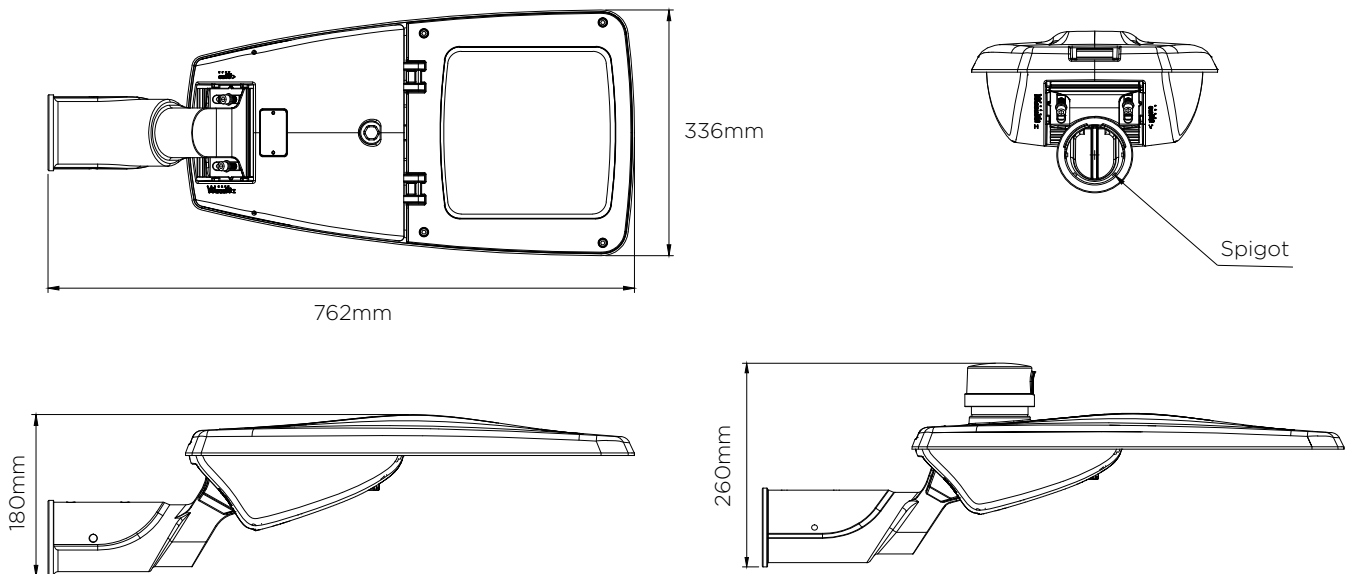


Type IV



Type V

Dimensions



Ordering Methodology

PLITRA	XX POWER	XX CCT/CRI	X BEAM ANGLE	X SPIGOT	X CONTROL/DIMMING
	90 (90W) 120 (120W) 150 (150W)	37 (3000K/70CRI) 47 (4000K/70CRI) 57 (5000K/70CRI)	1 (Type I) 2 (Type II) 3 (Type III) 4 (Type IV) 5 (Type V)	34 (34mm) 42 (42mm) 60 (60mm) 76 (76mm)	BLANK (None) A (0-10V) D (Dali) P (Photocell)