

CONVEYOR & BULKHEAD LIGHTS



CYCLOPS

CONVEYOR & BULKHEAD LIGHTS

CYCLOPS

The Cyclops is a high powered LED Conveyor Light fitted with a high transmittance optical lens providing maximum luminous efficiency up to 130Lm/W. It also features a super slim and elegant design structure to meet the IP66 and IK08 requirements, along with a die-cast body to control and regulate temperature rise and heat dissipation performance.



TYPICAL APPLICATIONS



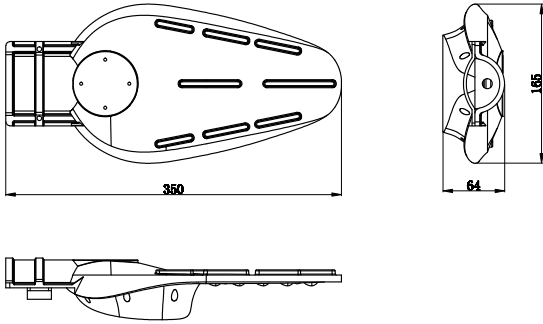
Collector Road, Local Road, Residential Road, Country Road

SPECIFICATIONS

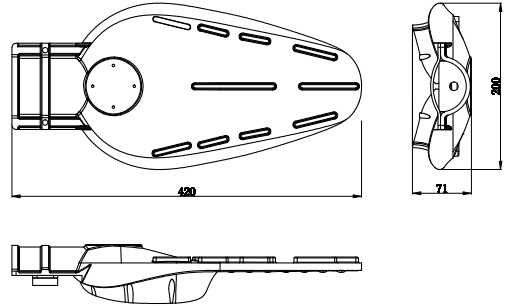
Model	PLICYC20	PLICYC30	PLICYC40	PLICYC50	PLICYC60	PLICYC70	PLICYC80	PLICYC90	PLICYC100	
Optical Characteristics										
Rated Wattage	20W	30W	40W	50W	60W	70W	80W	90W	100W	
Lumens	2600	3900	5200	6500	7800	9100	10400	11700	13000	
System Efficacy	130Lm/W									
Colour Temperature CCT	5700 (5000K / 4000K)									
CRI (Ra)	>70									
Reported L70	>50,000									
Lens Optic Type	Type II (20W-50W) / Type III (60W-100W)									
Electrical Characteristics										
Input	120-277VAC									
Frequency	50Hz									
Powerfactor	>0.95									
Total Harmonic Distortion	15%									
Environment										
IP Rating	IP66									
Impact Rating	IK08									
Operating Temperature	-20°C To 50°C									
Product Material and Mounting										
Option 1	Spigot 40-50mm / 40-60mm									
Product Material	Aluminum Housing									
Lens / Optics Material	PC Lens									
Dimensions and Weights										
Product Dimensions	350*165*64		420*200*71			546*260*80				
Product Weight	1.1KG		1.6KG			2.8KG				
Packaging Dimensions	425*425*450 (Ctn 8)		490*490*250 (Ctn 4)			570*295*190 (Ctn 2)				
Gross Weight	8.8KG		6.4KG			5.6KG				
Warranty and Certifications										
Warranty	5 Year Warranty									
Certifications	CE									

DIMENSIONS

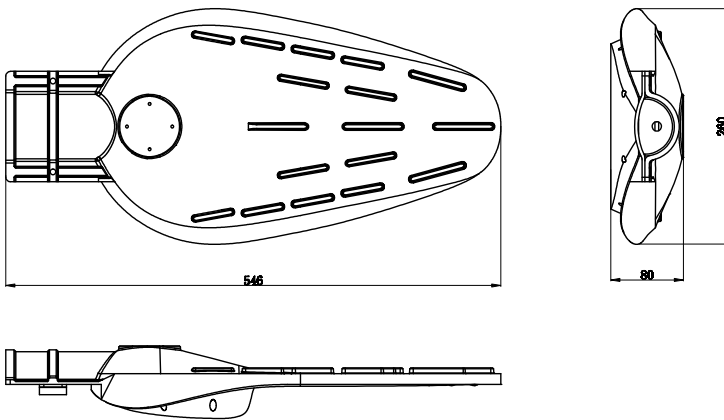
20W/30W



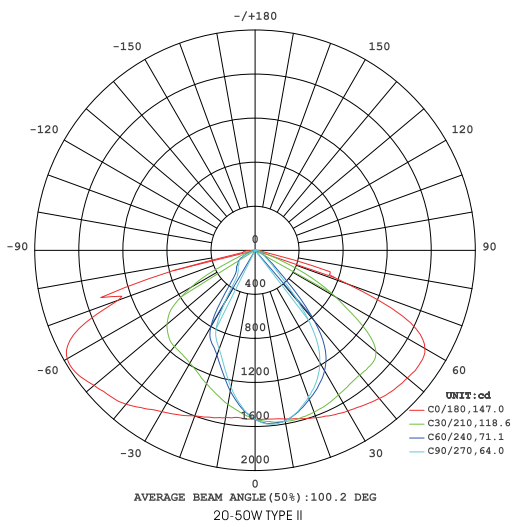
40W/50W



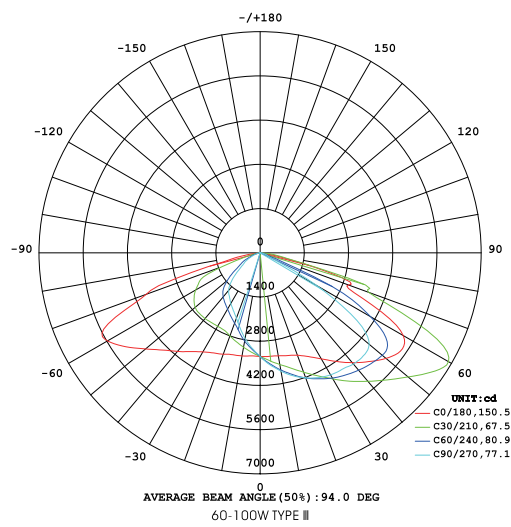
60W/70W/80W/90W/100W



PHOTOMETRIC DIAGRAMS



TYPE II



TYPE III

ORDERING METHODOLOGY

PLI-CYC

X WATTS (W)	XX CCT (K)
20W	57 (5700K)
30W	50 (5000K)
40W	40 (4000K)
50W	
60W	
70W	
80W	
90W	
100W	

ACCESSORIES/CONTROLS

SPIGOT 40-50MM	PLICYC/SP01
SPIGOT 40-60MM	PLICYC/SP02
MOTION SENSOR	PLICYC/M
PHOTO SENSOR	PLICYC/P
DALI	PLICYC/DA
10KV SURGE PROTECTOR	PLICYC/10KV
NEMA RECEPTACLE	PLICYC/NEMA
ZIGBEE/PLC DUAL MODE STREET LAMP	PLICYC/PLC

