

HAZARDOUS AREA



FALCON X

FALCON X

The Falcon X is a corrosion resistant luminaire designed for use in hazardous areas that are subject to flammable liquids, gases, vapors and combustible dusts. It features a corrosion resistant GRP body and polycarbonate diffuser with a central locking device that disconnects the supply when the luminaire is opened.



TYPICAL APPLICATIONS

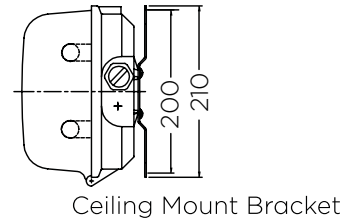
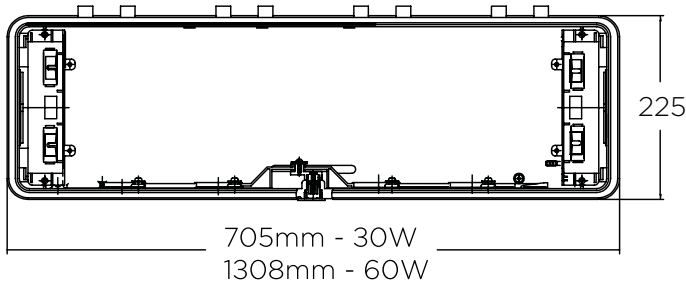
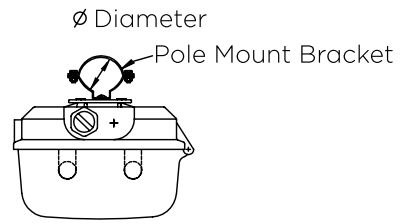
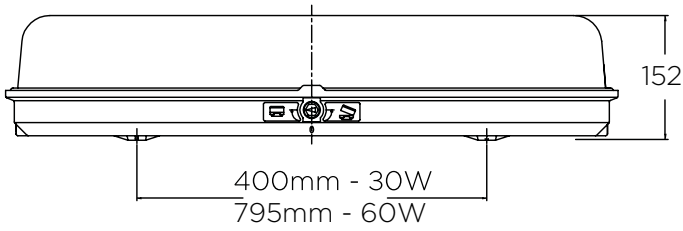


Mining, MIA (Mining Infrastructure Area), Coal, Open Cuts, Metalliferous, Iron Ore, Industrial, Processing Plants, Materials Handling, Lithium Processing, Power Generation, Energy & Utilities, Water & Waste Water, Ports, Wharfs & Waterways, Chemical & Processing

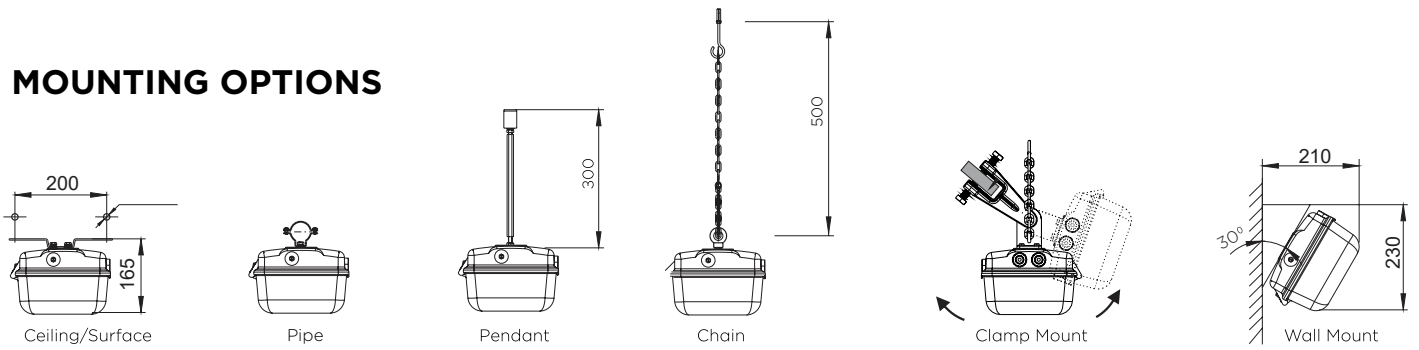
SPECIFICATIONS

Model:	PLIFALX30	PLIFALX60
Optical Characteristics		
Rated Wattage	30W	60W
Lumens	3000	4800
System Efficacy	100Lm/W	80Lm/W
Colour Temperature CCT	5700K	
CRI (Ra)	>75	
Reported L70	> 50,000 Hours	
Lens Optic Type	PC	
Electrical Characteristics		
Input	100-250V AC	
Frequency	50Hz	
Powerfactor	>0.95	
Total Harmonic Distortion	20%	
Environment		
IP Rating	IP66	
Impact Rating	IK10	
Operating Temperature	-20°C To 55°C	
Product Material and Mounting		
Option 1	Adjustable Clamp Mount	
Option 2	Chain Mount	
Option 3	Adjustable Bracket	
Option 4	Pipe Mount	
Option 5	Ceiling Mount	
Option 6	Wall Mount	
Product Material	Full Plastic Explosion Proof	
Lens / Optics Material	PC Diffuser	
Dimensions and Weights		
Product Dimensions	705*225*152	1308*225*152
Product Weight	5.5KG	9.1KG
Packaging Dimensions	748*272*195	1358*272*195
Gross Weight	6.1KG	10.0KG
Warranty and Certifications		
Warranty	18 Month Warranty	
Certifications	IECEX	
Classifications	Zone 1 & 21 / Zone 2 & 22	
Rating	IECEX/Gas: Ex db eb mb op is q II C T6/T5 Gb IECEX/Dust: Ex tb III C T80°C/ T85°C Db ATEX/Gas: II 2 G D Ex db eb mb op is q II C T6/T5 Gb Dust: Ex tb III C T80°C/ T85°C Db	

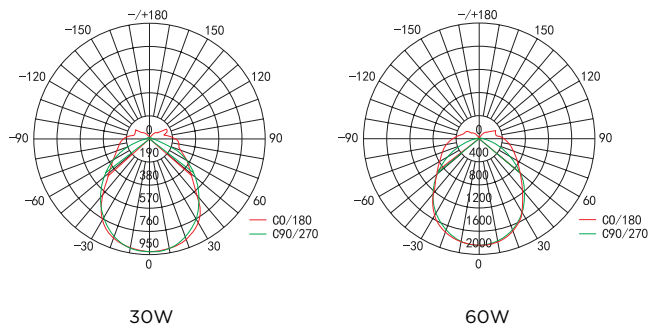
DIMENSIONS



MOUNTING OPTIONS



PHOTOMETRIC DIAGRAMS



ORDERING METHODOLOGY

PLI-FALX

XX
WATTS

30W
60W

XX
FUNCTION

ST (STANDARD)
EM (EMERGENCY)

X
SURGE PROTECTION

X (NONE)
F (WITH FUSE)

ACCESSORIES

PENDANT MOUNT PLIFALX/PD
CHAIN MOUNT PLIFALX/CH
ADJUSTABLE CLAMP BRACKET PLIFALX/ADJ
ADJUSTABLE CLAMP BRACKET STAINLESS STEEL PLIFALX/ADJ-SS
PIPE MOUNT 42MM PLIFALX/PM42
PIPE MOUNT STAINLESS STEEL 42MM PLIFALX/PM42-SS
PIPE MOUNT 48MM PLIFALX/PM48
PIPE MOUNT STAINLESS STEEL 48MM PLIFALX/PM48-SS
PIPE MOUNT 60MM PLIFALX/PM60
PIPE MOUNT STAINLESS STEEL 60MM PLIFALX/PM60-SS
CEILING MOUNT BRACKET PLIFALX/CM
CEILING MOUNT BRACKET STAINLESS STEEL PLIFALX/CM-SS
WALL MOUNT BRACKET FOR POLE MOUNT PLIFALX/WM

