

HIGH-POWER FLOODLIGHTS



HAWK JNR

HIGH-POWER FLOODLIGHTS

HAWK JNR

The Hawk Jnr LED floodlight is designed to deliver a superior high output and also features a unique optical design that virtually eliminates glare with minimal impact on performance. It is available in a variety of flood distributions for lighting applications such as Large Area Lighting and Mining applications.



TYPICAL APPLICATIONS



Mining, MIA (Mining Infrastructure Area), Coal, Open Cuts, Metalliferous, Iron Ore, Industrial, Processing Plants, Materials Handling, Lithium Processing, Power Generation, Energy & Utilities, Water & Waste Water, Ports, Wharfs & Waterways, Chemical & Processing, Ports & Wharves, Airports, Car Parks, General Area Lighting, Container Terminals

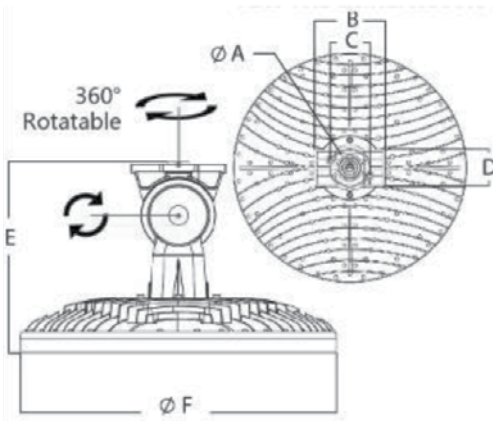
SPECIFICATIONS

| Model: | PLIHWKJ315 | PLIHWKJ460 | PLIHWKJ580 | PLIHWKJ720 |
|--------------------------------------|---|------------|-------------|------------|
| Optical Characteristics | | | | |
| Rated Wattage | 315W | 460W | 580W | 720W |
| Lumens | 51975 | 75900 | 95700 | 118800 |
| System Efficacy | 165Lm/W | | | |
| Colour Temperature CCT | 5700K (5000K / 4000K / 3000K) | | | |
| CRI (Ra) | >70 (>80 Optional) | | | |
| Reported L70 | >50,000 Hours | | | |
| Lens Optic Type | 15° / 30° / 60° | | | |
| Electrical Characteristics | | | | |
| Input | 100-270VAC (200-480V Optional) | | | |
| Frequency | 50Hz | | | |
| Powerfactor | >0.96 | | | |
| Total Harmonic Distortion | <20% | | | |
| Environment | | | | |
| IP Rating | IP66 | | | |
| Impact Rating | IK10 | | | |
| Operating Temperature | - 40°C To 50°C | | | |
| Product Material and Mounting | | | | |
| Option 1 | Trunnion Mount Bracket | | | |
| Option 2 | Rotatable Bracket | | | |
| Product Material | Powder-Coated Die Cast Aluminum (Black) | | | |
| Lens / Optics Material | Polycarbonate Lens | | | |
| Dimensions and Weights | | | | |
| Product Dimensions | 468*468*343 | | 550*550*336 | |
| Product Weight | 14.0KG | | 18.0KG | |
| Packaging Dimensions | 540*540*415 | | 620*620*405 | |
| Gross Weight | 15.9KG | | 21.6KG | |
| Warranty and Certifications | | | | |
| Warranty | 5 Year Warranty | | | |
| Certifications | CE / RoHS | | | |



DIMENSIONS

Rotatable Bracket 360°



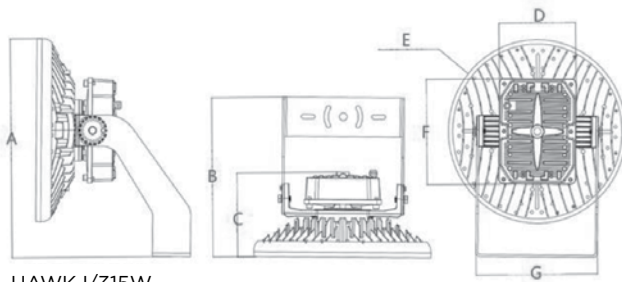
HAWKJ/315W

A: 7.3CM, **B:** 16.5CM, **C:** 9.3CM,
D: 9.0CM, **E:** 34.3CM, **F:** 46.8CM

HAWKJ/460W-720W

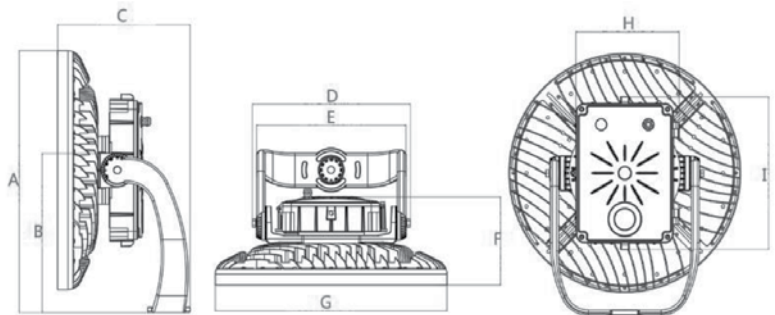
A: 7.3CM, **B:** 16.5CM, **C:** 9.3CM,
D: 9.0CM, **E:** 33.6CM, **F:** 55.0CM

Trunnion Mount Bracket



HAWKJ/315W

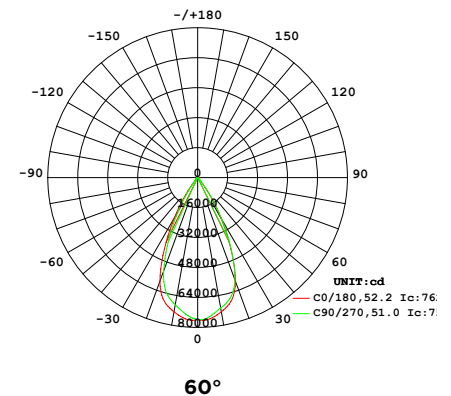
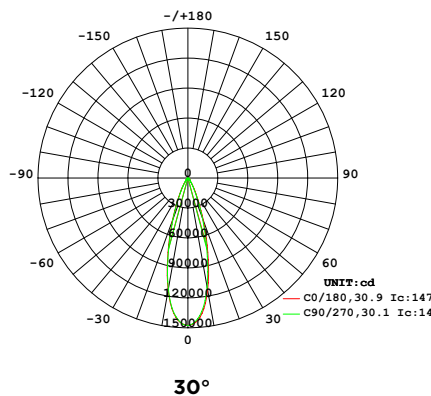
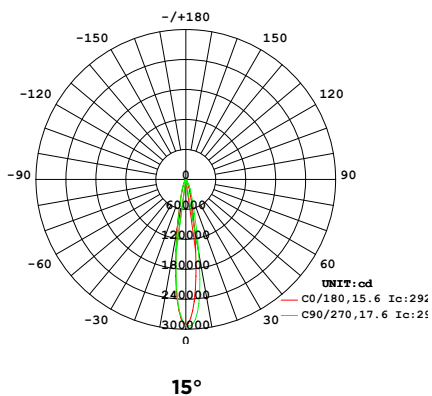
A: 55.96CM(22.0"), **B:** 40.68CM(16.0"), **C:** 21.4CM(8.4"),
D: 20.3CM(8"), **E:** 46.8CM(18.4"), **F:** 26.8CM(10.5"),
G: 32.01CM(12.6")



HAWKJ/460W-720W

A: 60.2CM(23.7"), **B:** 36.6CM(14.4"), **C:** 31.48CM(12.4"),
D: 37.5CM(14.7"), **E:** 35.4CM(13.9"), **F:** 20.25CM(8.0"),
G: 55.0CM(16") , **H:** 24.5CM(9.6") , **I:** 35.1CM(13.8")

PHOTOMETRIC DIAGRAMS



HIGH-POWER FLOODLIGHTS

ORDERING METHODOLOGY

PLI-HWKJ

**XXX
WATTS**

315W
460W
580W
720W

**XX
CCT**

57 (5700K)
50 (5000K)
40 (4000K)
30 (3000K)

**XX
BEAM ANGLE**

01 (15°)
02 (30°)
03 (60°)

ACCESSORIES

TRUNNION MOUNT BRACKET
360° ROTATABLE BRACKET
VISOR

PLIHWKJ/TM
PLIHWKJ/RB
PLIHWKJ/VIS

