

LED HIGH & LOW BAYS



**ROVER**

# LED HIGH & LOW BAYS

## ROVER

The Rover is a low-profile and durable state of the art fixture. It is designed to quickly and easily upgrade existing H.I.D and fluorescent fixtures. The LED high bay combines high light output LED technology with remarkable energy savings for a quick return on investment. Offered in narrow and wide beam distributions, the Rover can include a dimming feature and be equipped with a motion sensor. The Dali control provides you with the convenience of smart lighting and maximizes your energy consumption savings.



## TYPICAL APPLICATIONS

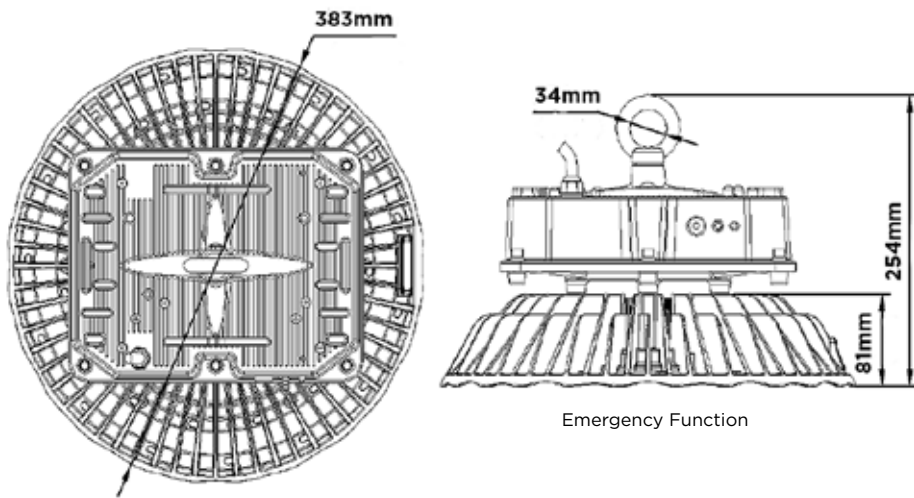


Heavy Vehicle Workshops, MIA Infrastructure, Warehouses & Stores, General Workshops, Factories, Heavy Industry, Overhead Cranes, Airports

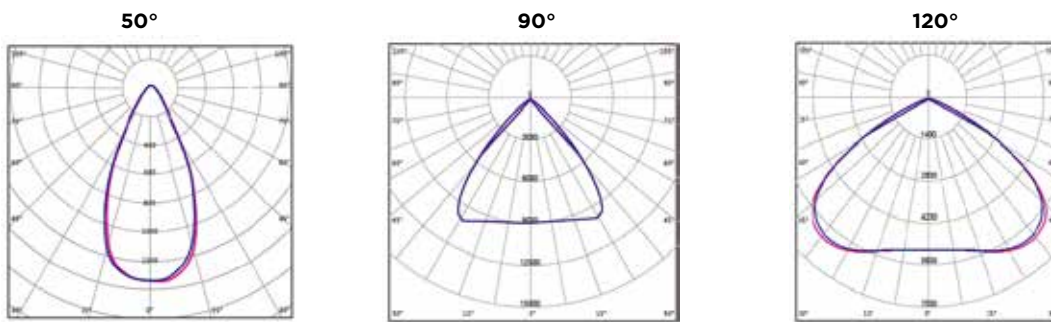
## SPECIFICATIONS

Model:	PLIROV100	PLIROV120	PLIROV150	PLIROV200	PLIROV240	PLIROV300
<b>Optical Characteristics</b>						
Rated Wattage	100W	120W	150W	200W	240W	300W
Lumens	14000	16800	21000	28000	33600	42000
System Efficacy	140Lm/W					
Colour Temperature CCT	50000K (4000K / 3000K)					
CRI (Ra)	>70 (>80 Optional)					
Reported L70	>50,000 Hours					
Lens Optic Type	50° / 90° / 120°					
<b>Electrical Characteristics</b>						
Input	100-240VAC					
Frequency	50 / 60Hz					
Powerfactor	>0.9					
Total Harmonic Distortion	<20%					
<b>Environment</b>						
IP Rating	IP65					
Impact Rating	IK10					
Operating Temperature	-30°C To 50°C					
<b>Product Material and Mounting</b>						
Option 1	Eyebolt					
Option 2	Ceiling Mount Bracket (45° or 180°)					
Product Material	Aluminum Housing					
Lens/Optics Material	Tempered Glass (PC Lens Optional)					
<b>Dimensions and Weights</b>						
Product Dimensions	Refer to dimensions below					
Product Weight	7.0KG		7.3KG		7.6KG	
Packaging Dimensions	440*255*449					
Gross Weight	7.9KG		8.7KG		9.6KG	
<b>Options</b>						
Warranty	5 Year Warranty					
Certifications	SAA /CE /RoHS					

## DIMENSIONS



## PHOTOMETRIC DIAGRAMS



## ACCESSORIES



Aluminum Reflector



45° Ceiling Mount Bracket



180 Deg Bracket



Safety Chain

# LED HIGH & LOW BAYS

## ORDERING METHODOLOGY

PLI-ROV	XXX WATTS	XX CCT	XX BEAM ANGLE	XX LENS TYPE	XX FUNCTION	XXX CONTROLS
	100W 120W 150W 200W 240W 300W	50 (5000K) 40 (4000K) 30 (3000K)	01 (50°) 02 (90°) 03 (120°)	TG (TEMPERED GLASS) PC (POLYCARBONATE LENS)	ST (STANDARD) EM (EMERGENCY)	X (NONE) M (MOTION SENSOR) D (DIMMABLE 1-10V) P (PE CELL) DA (DALI) ZIG (ZIGBEE)

## ACCESSORIES

EYEBOLT	PLIROV/EB
45° CEILING MOUNT BRACKET	PLIROV/CM1
180° CEILING MOUNT BRACKET	PLIROV/CM2
MOTION SENSOR	PLIROV/M
DIMMABLE 1-10V DRIVER	PLIROV/D
PE CELL	PLIROV/P
DALI CONTROL	PLIROV/DA
ZIGBEE CONTROL	PLIROV/ZIG
ALUMINIUM REFLECTOR	PLIROV/ALU
SAFETY CHAIN	PLIROV/SC



Optional Emergency Function

