

EXIT LIGHTING



**RUNNING
MAN I**

EXIT LIGHTING

RUNNING MAN I

The Running Man I is an energy efficient, long life LED emergency exit light. It features both single and double sided decals with both the Running Man and Exit decals included. The Running Man I is complete with a large terminal block + entry cable and maintained emergency operation mode.



TYPICAL APPLICATIONS



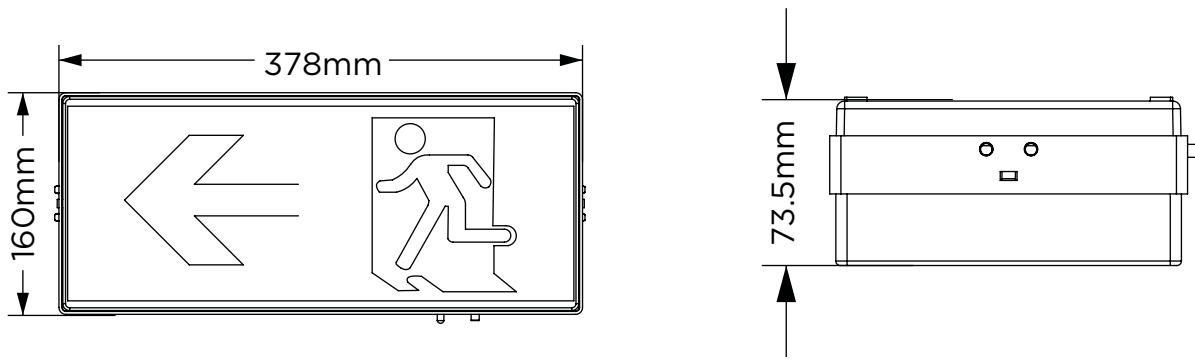
Switch Rooms, Control Rooms, Electrical Equipment Rooms, Tunnels, Industrial Warehouse, Office Complex, Workshops

SPECIFICATIONS

Model	PLIRM1
Optical Characteristics	
Rated Wattage	3W
Lumens	300
System Efficacy	100Lm/W
Colour Temperature CCT	5700K
CRI (Ra)	>70
Reported L70	>50,000 Hours
Lens Optic Type	Polycarbonate Diffuser
Viewing Distance	24M
Electrical Characteristics	
Input	240V
Frequency	50Hz
Powerfactor	>0.9
Operating Mode	
Operating System	Manual Test Switch
Charging Method	Constant Current (16hrs), Pulse Charge (Standby)
Total Harmonic Distortion	N/A
Environment	
IP Rating	IP20
Impact Rating	IK08
Operating Temperature	0°C To 40°C
Product Material and Mounting	
Option 1	Wall Mount
Product Material	Polycarbonate Body
Lens / Optics Material	PC Lens
Dimensions and Weights	
Product Dimensions	378*160*73.5
Product Weight	1.48KG
Packaging Dimensions (Ctn 10)	430.5*410.5*360.5
Weight (Ctn 10)	14.8KG
Certifications and Warranty	
Warranty	2 Year Warranty
Certifications	SAA
AS/NZ 2293 Classification	C0=E2.5 C90=D2.0

EXIT LIGHTING

DIMENSIONS



STANDARD DECAL SET



* Standard decal set included

ORDERING METHODOLOGY

PLI-RM1 X
WATTS
3W

ACCESSORIES

WALL MOUNT BRACKET

PLIRM1/WM