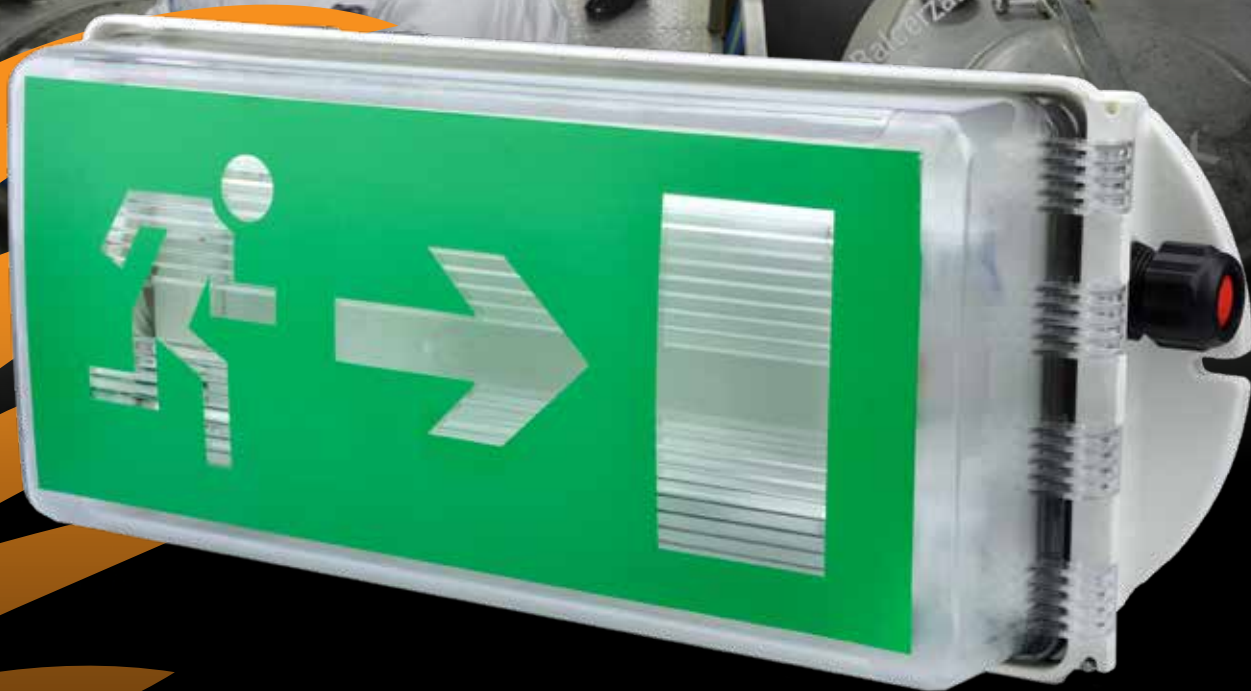


EXIT LIGHTING



RUNNING MAN II

RUNNING MAN II

The Running Man II is a corrosion resistant emergency luminaire for use in hazardous areas that may be subject to flammable liquids, gases, vapors or combustible dusts. It features a corrosion resistant GRP body and polycarbonate diffuser with a central locking device that disconnects the supply when the luminaire is opened. Applications include Chemical and Petrochemical Processing, Storage Facilities, Industrial and Commercial.



TYPICAL APPLICATIONS



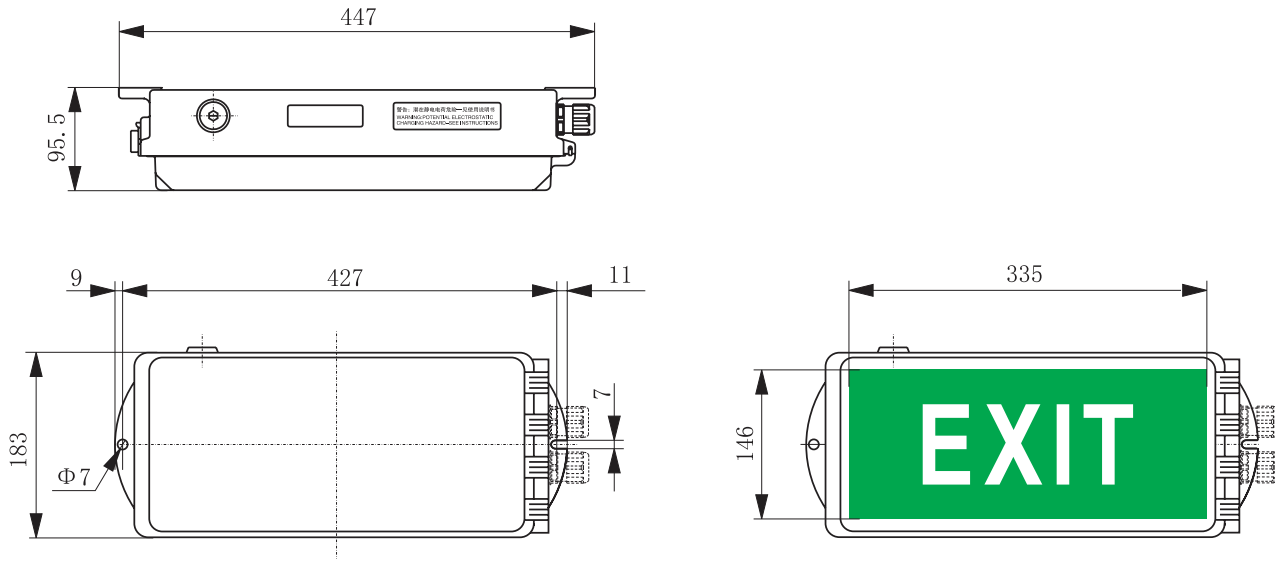
Switch Rooms, Control Rooms, Electrical Equipment Rooms, Tunnels, Industrial Warehouse, Office Complex, Workshops

SPECIFICATIONS

Model	PLIRM2
Optical Characteristics	
Rated Wattage	3W
Lumens	160
System Efficacy	53Lm/W
Colour Temperature CCT	5700K
CRI (Ra)	>70
Reported L70	50,000 Hours
Lens Optic Type	Polycarbonate
Viewing Distance	30M
Electrical Characteristics	
Input	110-240V
Frequency	50/60Hz
Powerfactor	>0.95
Total Harmonic Distortion	20%
Environment	
IP Rating	IP66
Impact Rating	IK10
Operating Temperature	-20°C To 55°C
Product Material and Mounting	
Option 1	Surface Mount
Product Material	Polycarbonate
Lens / Optics Material	PC Lens
Dimensions and Weights	
Product Dimensions	447*183*96
Product Weight	3.5KG
Packaging Dimensions	460*220*180
Gross Weight	3.2KG
Warranty and Certifications	
Warranty	5 Year Warranty
Certifications	IECEX
Classification	Zone 1 & Zone 21 / Zone 2 & 22
Rating	IECEX/Gas: Ex eb ib op is II q C T4 Gb (without fuse and isolation switch) / Ex db eb ib mb op is q II C T4 Gb (with fuse and isolation switch) IECEX/Dust: Ex tb III C T80 Db (without fuse and isolation switch) / Ex tb III C T80 Db (with fuse and isolation switch).

EXIT LIGHTING

DIMENSIONS



DECAL OPTIONS



DECAL - 01



DECAL - 02



DECAL - 03



DECAL - 04



DECAL - 05

ORDERING METHODOLOGY

PLI-RM2

X
WATTS

3W

XX
FUNCTION

ST (STANDARD)
M (MAINTAINED EMERGENCY)
NM (NON-MAINTAINED EMERGENCY)

XX
SURGE PROTECTION

X (NONE)
FS (FUSE & SWITCH)

ACCESSORIES

SURFACE MOUNT BRACKET	PLIRM2/SM
EXIT DECAL	PLIRM2/01
UP ARROW DECAL	PLIRM2/02
DOWN ARROW DECAL	PLIRM2/03
LEFT ARROW DECAL	PLIRM2/04
RIGHT ARROW DECAL	PLIRM2/05

